

Casing Cut & Bevel

GBC TI

Range 7"- 13 3/8" (API casings)

Machine can be operated fully remote ☼

Cut & bevel to any depth (no limit) ☼

☼ Portable for on-site application

☼ Reduced wellhead downtime

☼ No stabilizers, centralizers, rings or adaptors needed



The **GBC TI** machine is engineered to cut a complete section of a casing with a precision depth. It can be lowered down to the cut line in the well, at any depth.

The automatic hydraulic ID clamp is made with 2 independent sections, between those mounted in the blade holder. During the cutting operations, the blades are gradually deployed outside the chuck by mechanical action until the cut is completed. An electronic counter located, indicates the blade's trip stroke. The tool post feeding is reversible for the blade retraction.

The machine can also be operated fully remote.

RANGE:

7" to 13 3/8" API casing

FUNCTIONS:

Internal tube cutting & beveling

MATERIALS:

Carbon steel, alloys and stainless steel

POWER:

Hydraulic

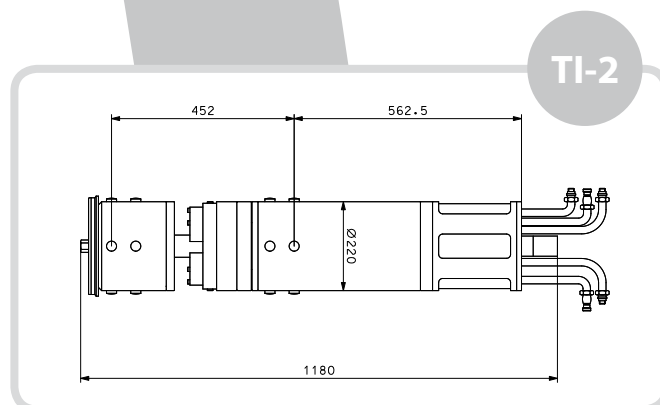
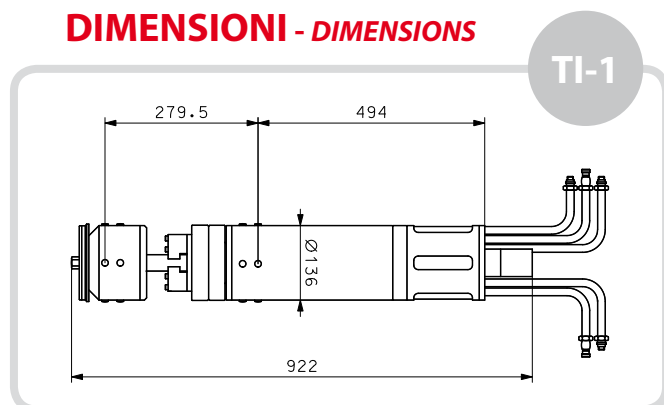


 **G.B.C.**[®]
Industrial Tools S.p.A.

GBC TI

Range 7" - 13 3/8" (API casings)

DIMENSIONI - DIMENSIONS



DATI TECNICI - TECHNICAL FEATURES

		TI-1	TI-2
capacità bloccaggio <i>locking range</i>	mm (Æi) inch (Æ id)	145-221 5.70-8.70	239-315 9.40-12.40
velocità a vuoto <i>idle speed</i>	gg/min rpm	24	20
corsa radiale <i>radial stroke</i>	mm inch	20 0.787	30 1.181
avanzamento radiale al giro <i>radial feed per rev.</i>	mm inch	0.1 0.004	0.1 0.004
potenza nominale motore idraulico <i>nominal hydraulic motor power</i>	hp/kw	2.3-1.7	8.1-6
erogazione olio <i>oil flow rate</i>	l/min gpm	20 5.2	40 10.4
pressione di lavoro <i>oil pressure</i>	bar psi	70 1015	85 1232
peso macchina <i>unit weight</i>	kg lbs	59 131	110 244

GBC Industrial Tools si riserva il diritto di apportare in qualsiasi momento modifiche costruttive e funzionali.
GBC Industrial Tools has the right to modify its product at any time.



G.B.C.[®]
Industrial Tools S.p.A.

G.B.C. Industrial Tools S.p.a.

Via Sandro Pertini - 25046 Cazzago San Martino (BS) - Italia
phone: +39 (0)30 745.11.54 - fax +39 (0)30 735.66.29
www.gbcspa.com - mailto: sales@gbcspa.com

