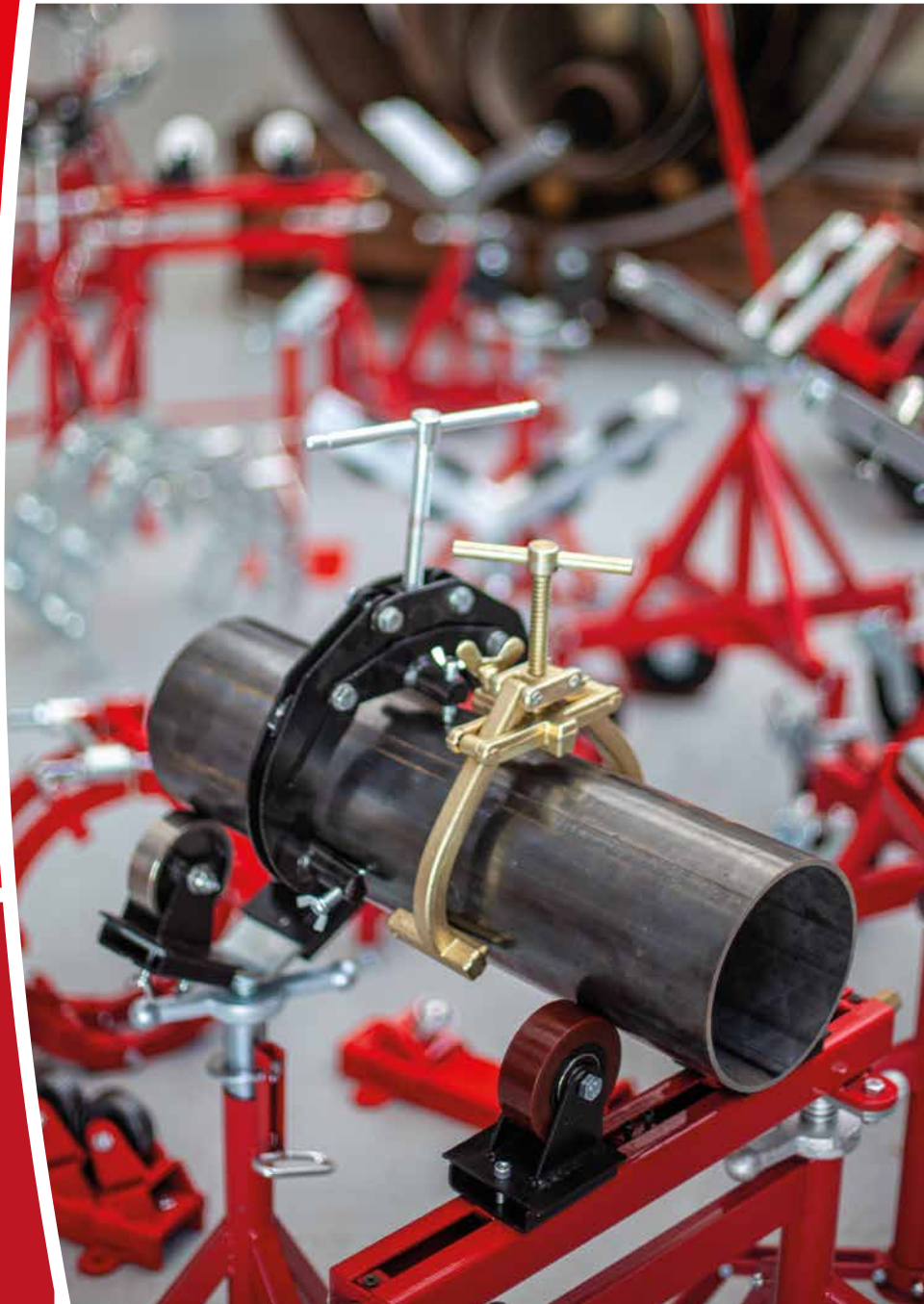
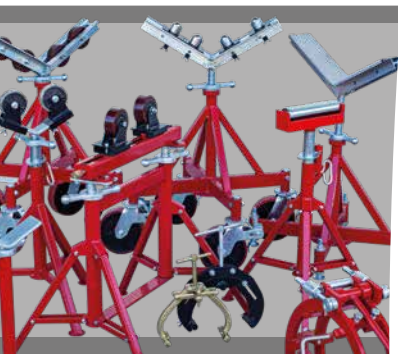


PIPE ALIGNMENT CLAMPS & STANDS



 **G.B.C.**[®]
Industrial Tools S.p.A.

Black Bridge Clamps

Pipe alignment clamps 1" - 12"

Black Bridge Clamps can be used for the welding of all kinds of materials. Adjusting screws have stainless steel bearings, thus reducing the risk of carbon contamination and corrosion. The welding of pipe to pipe and pipe to fittings is easily performed with BB Clamps.



- Quick and easy to use
- Combines accuracy with safety
- Instant centering
- A quality product at low cost
- Stainless steel clamping feet & wing bolt bearings



Part No.	Pipe Diameter Imperial	Pipe Diameter Metric	Weight KG/LBS
BBC2	1"-2"	25-65 mm	1.8/4.0
BBC6	2"-6"	50-168 mm	4.8/10.5
BBC12	5"-12"	127-325mm	8.0/17.6

Gold Bridge Clamps

Pipe Welding Clamp 1-14" o/d



OPTIONAL ACCESSORIES

Stainless Steel Shoes can be fitted quickly to the clamps. This makes the contact points of the clamp stainless, thus eliminating contamination of the pipe.



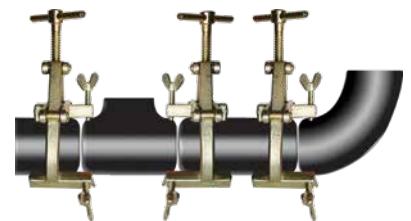
STAINLESS STEEL SHOES & SCREWS

Part No.	Pipe Clamp Size
GBC3SSK	1"-3"
GBC5SSK	2"-5"
GBC7SSK	4"-7"
GBC9SSK	5"-9"
GBC14SSK	10"-14"

- Quick and easy to use
- Combines accuracy with safety
- Instant centring
- A quality product at low cost
- Forged steel construction for maximum strength
- Wing bolts with stainless steel bearings

AVAILABLE SIZES

Part No.	Pipe Diameter Imperial	Pipe Diameter Metric	Weight KG/LBS
GBC3	1"-3"	20-90 mm	1.4 / 3
GBC5	2"-5"	50-150 mm	3 / 7
GBC7	4"-7"	90-190 mm	3.3 / 7.5
GBC9	5"-9"	125-225 mm	7 / 15.5
GBC14	10"-14"	225-370 mm	9 / 20

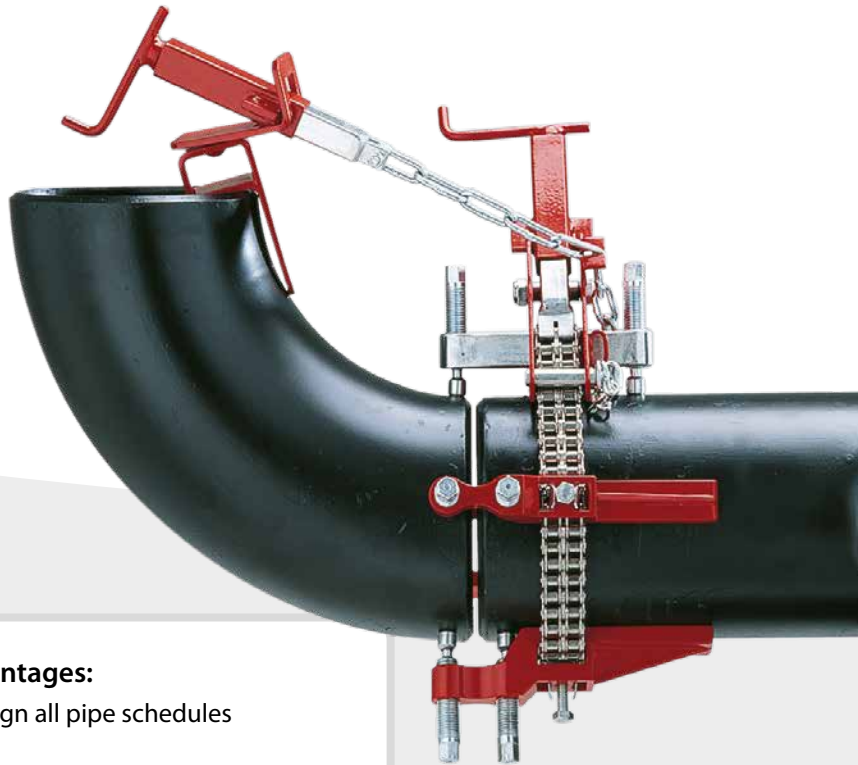


WARNING: These Fit clamps must not be used as a lifting device, as the may result in damage or injury.

JOIN GOLD FIT TYPICAL APPLICATIONS

Single Chain Clamps

Double Jackscrew clamps for aligning & reforming pipes



Features and advantages:

- Alignment - can align all pipe schedules accurately.
- Reforming - jackscrews enable the elimination of 'Hi-Lo' points either side of the weld joint. Can reform up to schedule 40 pipes.
- Adaptable - one chain clamp covers the range of 8 cage clamps.
- No Tack Jackbars - joints can be fully welded without removing the clamp.
- Versatile - elbows, tees and other fittings can be accurately aligned using the Fitting Alignment Device.
- Quality - jackbars are cast from high quality steel alloys.
- Additional jackbars can be added if extra pressure is required.
- Jackscrews - Jackbars have two jackscrews with independently pivoting pads to compensate for uneven surfaces.
- Stainless Steel - available in both carbon and stainless steel versions.

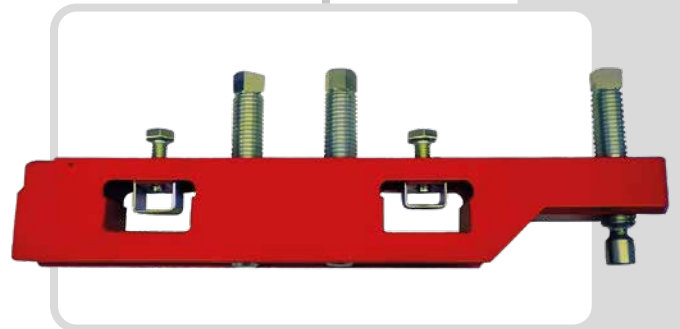
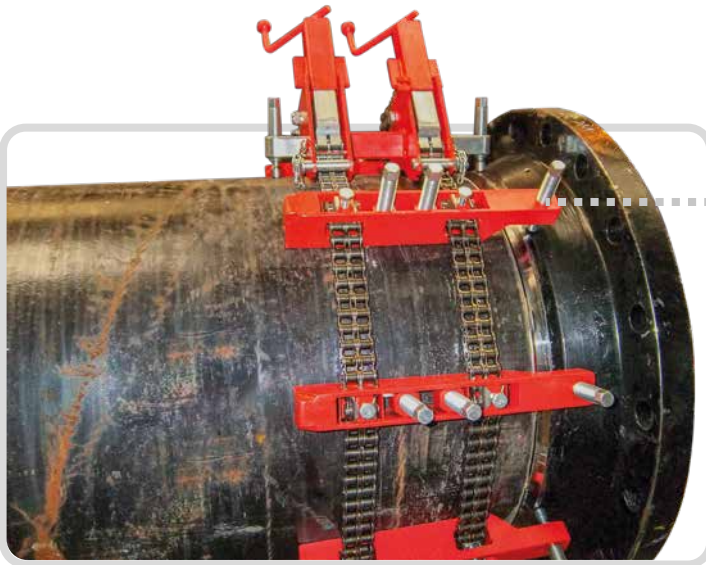
All clamps include:

- Length of chain required for the pipe range
- Double jackscrew jackbars listed for the pipe range
- Main block
- Fine adjustment
- Fitting alignment device
- Jackscrew wrench
- Parts and operating manual
- Metal Storage box
- Hi-Lo gauge

Part No.	Pipe Diameter Range "/>mm	No. Of ackbars	Reforms Pipe to Schedule	Aligns Pipe to Schedule	Shipping WT KGS
SCC20	4-20/101.6 - 508	7	40	80	17
SCC20SS	4-20/101.6 - 508	7	40	80	17
SCC36	10-36/254 - 914.4	8	40	80	42
SCC36SS	10-36/254 - 914.4	8	40	80	42
SCC54	10-54/254 - 1371.6	13	40	80	82
SCC54SS	10-54/254 - 1371.6	13	40	80	82

Double Chain Clamps

Ultra heavy duty double chain reforming alignment clamp



Features and advantages:

- Precision Alignment – The double jackbars, spaced around the outside diameter of the pipe, provide accurate alignment and reforming of the internal or external diameters of both pipes within 0.5mm.
- Extremely Tough – Reforms pipes on both sides of the weld joint to Sch80, and elbows, tees and other fittings.
- Adaptable – The Chain Clamp can be used to support, align, and reform elbow, tees and other fittings that a cage clamp cannot cope with. One Chain Clamp covers the range of eight (8) cage clamps.
- Extra Heavy Duty Independent Jackbars – Enable the operator to form the pipe to the required shape. Each Jackscrew has independently pivoting feet to cope with uneven surfaces.
- Versatile – Elbows, tees and other fittings can be aligned with the Fitting Alignment Device.

Double Chain Clamp include:

- Length of chain required for the pipe range
- Extra heavy-duty jackbars listed for the pipe range
- Number of Main blocks listed for the pipe range
- Two (2) fine adjustments
- Fitting alignment device (larger clamps supplied with come-a-long)
- Jackscrew wrench
- Operating instructions
- Hi-Lo gauge

Optional:

- Torque wrench
- Carbon or stainless steel spacing screws (optional)
- Additional jackbar

Part No.	Pipe Diameter Range"/mm	No. Of Jackbars	Number of Main Blocks	Shipping WT KGS
DCC36	10-36 / 254-914	9	1	100 / 220
DCC36SS	10-36 / 254-914	9	1	100 / 220
DCC48	10-48 / 254-1219	12	1	126 / 278
DCC48SS	10-48 / 254-1219	12	1	126 / 278
DCC54	10-54 / 254-1372	14	1	136 / 300
DCC54SS	10-54 / 254-1372	14	1	136 / 300
DCC60	10-60 / 254-1524	16	1	149 / 328
DCC60SS	10-60 / 254-1524	16	1	149 / 328
DCC72	10-72 / 254-1829	20	1	176 / 387
DCC72SS	10-72 / 254-1829	20	1	176 / 387

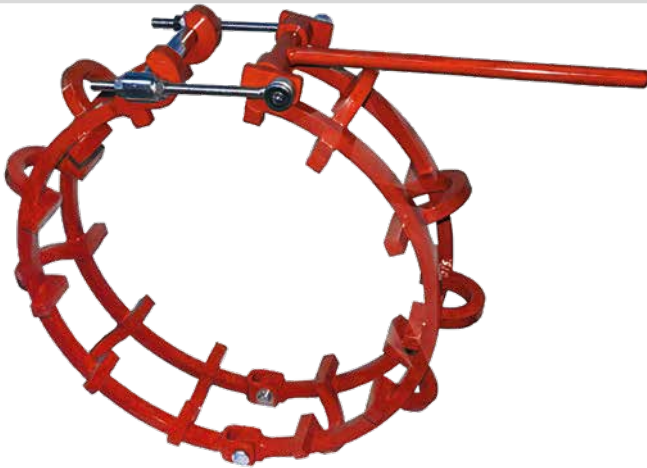
Cage Clamps

External Line Up Clamps

Cage or 'Tipton' Clamps are a cost effective method to align a single size of pipe. Three versions are available; manual, ratchet and hydraulic. These are available in two styles, either "Tack" or "No Tack".

The tack type has straight cross bars and is removed from the pipe before welding. The more popular no tack model has arched cross bars to permit a 90% circumferential weld without removing the clamp.

MCC



Manual Cage Clamps:

- Range: 2"-60"
- Will not back off while weld is being made.
- Simple and easy to use.
- Stainless & semi-stainless steel versions available.

Ratchet Cage Clamps

- Range: 6"-60".
- The ratchet type External Line-up Clamp is very strong and accurate, but is also lightweight with either 'standard' flat cross bars or 'no tack' arched cross bars.
- Precision Acme Threads ensure great strength and ease of operation.
- Will not back off while weld is being made.
- Mechanism is enclosed to eliminate dirt or mud.
- Stainless & semi-stainless steel versions available.



RCC

HCC



Hydraulic Cage Clamps

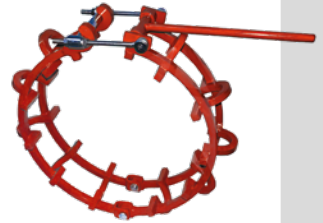
- Range: 12"-80".
- Hydraulic jack capacity 10-12 ton, larger available.
- Specials upon request.
- Stainless & semi-stainless steel versions available.
- Segmented versions available.

Cage Clamps

External Line Up Clamps

Manual Cage Clamps

PART NO.	PIPE SIZE (INCH / MM)	SHIPPING WEIGHT (KG / LBS)
CCM4	4" / 102mm	8.6kg / 19lbs
CCM6	6" / 152mm	14.4kg / 32lbs
CCM8	8" / 203mm	14.9kg / 33lbs
CCM10	10" / 254mm	23kg / 51lbs
CCM12	12" / 305mm	23.9kg / 53lbs
CCM14	14" / 356mm	31.5kg / 70lbs
CCM16	16" / 406mm	45.9kg / 102lbs
CCM18	18" / 457mm	49.5kg / 110lbs
CCM20	20" / 508mm	54kg / 120lbs
CCM24	24" / 610mm	56.7kg / 126lbs



MCC

Ratchet Cage Clamps

PART NO.	PIPE SIZE (INCH / MM)	SHIPPING WEIGHT (KG / LBS)
CCR20	20" / 508mm	54kg / 120lbs
CCR24	24" / 610mm	57kg / 126lbs
CCR28	28" / 711mm	67kg / 148lbs
CCR30	30" / 762mm	72kg / 160lbs
CCR32	32" / 813mm	77kg / 170lbs
CCR34	34" / 864mm	82kg / 181lbs
CCR36	36" / 914mm	87kg / 192lbs
CCR40	40" / 1016mm	97kg / 214lbs
CCR42	42" / 1067mm	102kg / 225lbs
CCR48	48" / 1219mm	117kg / 258lbs
CCR54	54" / 1372mm	153kg / 337lbs
CCR60	60" / 1524mm	167kg / 368lbs
CCRH	Ratchet Handle	2.7kg / 6lbs



RCC

Hydraulic Cage Clamps

PART NO.	PIPE SIZE (INCH / MM)	SHIPPING WEIGHT (KG / LBS)
CCH20	20" / 508mm	54kg / 120lbs
CCH24	24" / 610mm	57kg / 126lbs
CCH28	28" / 711mm	67kg / 148lbs
CCH30	30" / 762mm	72kg / 160lbs
CCH32	32" / 813mm	77kg / 170lbs
CCH34	34" / 864mm	82kg / 181lbs
CCH36	36" / 914mm	87kg / 192lbs
CCH40	40" / 1016mm	97kg / 214lbs
CCH42	42" / 1067mm	102kg / 225lbs
CCH48	48" / 1219mm	117kg / 258lbs
CCH54	54" / 1372mm	153kg / 337lbs
CCH60	60" / 1524mm	167kg / 368lbs
CCHJ	Hydraulic Jack	9kg / 20lbs



HCC

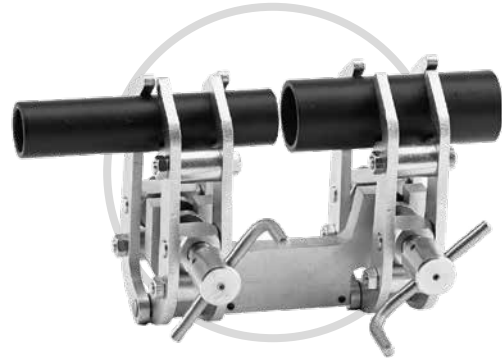
Special Alignment Clamps

Internal and external locking pipe clamps for aligning pipes and flanges

Pincer Clamp

For quick and accurate alignment of pipes of equal or differing diameters on a common centre line. Automatic diameter compensation. All parts stay easily accessible for welding.

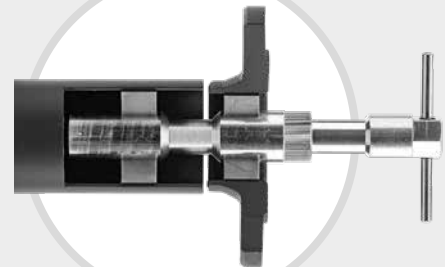
Part No.	Clamping Range (mm)	Weight KG/LBS
PC70	10-70	2.1 / 5
PC140	40-140	5.9 / 135
PC330	75-330	26 / 57.5



Mini Clamp

For quick and accurate alignment and clamping of flanges, nozzles, etc to pipes and cylindrical tanks. Available in stainless steel.

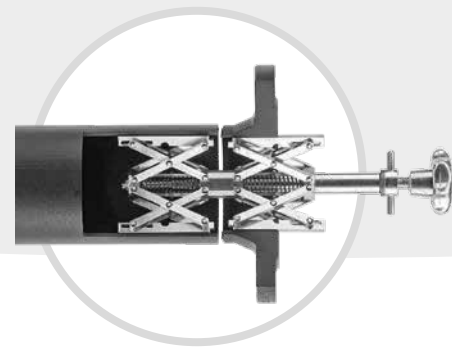
Part No.	Clamping Range (mm)	Weight KG/LBS
MC19	15-19	0.20 / 0.7
MC20	16-20	0.20 / 0.7
MC25	19-25	0.25 / 0.9
MC32	24-32	0.50 / 1
MC40	31-40	0.50 / 1
MC52	38-52	1.25 / 3
MC64	51-64	1.25 / 3



FTP Clamp

This model has two independent expanding clamps, allowing coaxial alignment of two hollow cylindrical components of different diameters. The bottom expanding clamp is inserted and clamped in the pipe by means of the knob. Then the other part (e.g. a flange) is placed over the top expanding clamp and clamped by means of the hand-bar. Stainless steel options also available.

Part No.	Clamping Range (mm)	Weight KG
FTP140	40-140	1.30
FTP220	85-220	3.90
FTP350	75-350	11.50
FTP520	180-520	27.00
FTP940	400-940	39.00



FTE Clamp

This model with two independent clamps is used for clamping flanges of all kinds and similar parts to elbows and pipe-bends of various diameters. The lower expanding clamp has strong gripping feet which insert into the bend and are tightened by means of the knob. The top expanding clamp is tightened by means of the handbar in the flange. Stainless steel options also available.

Part No.	Clamping Range (mm)	Weight KG/LBS
FTE115	54-115	1 / 3
FTE195	89-195	3.3 / 7
FTE315	120-315	9.5 / 21



PJ1 'UNO' Pipe Stand

The PJ1 Stand is a basic single tubed pipe stand, simple to use and easy to setup

A favourite for low level work in all fab shops. Heights from 7" (17.5cm) to 28" (70cm). Optional roller heads from the PJ3 series can also be fitted to the Vee Head of the PJ1 Stand to suit varying applications.



Part No.	Min/Max height inches	Min/Max height metric	Weight Load
PJ1-1	7"-10.25"	175-260mm	450kgs
PJ1-2	10"-16"	250-400mm	450kgs
PJ1-3	16"-22"	400-550mm	450kgs
PJ1-4	22"-27"	550-700mm	450kgs

Steel Wheels

Part No.	Load capacity KG/LBS	Weight KG/LBS	Pipe Size
SWK3	1,000/2,205	3.4/7	1"-12"
SWK3SS	1,000/2,205	3.4/7	1"-12"



Ball Transfers

Part No.	Load capacity KG/LBS	Weight KG/LBS	Pipe Size
BTK3	600/1320	2.5/6	1"-12"
BTK3SS	600/1320	2.5/6	1"-12"



Nylon Wheels

Part No.	Load capacity KG/LBS	Weight KG/LBS	Pipe Size
NWK3	450/992	2/5	1"-12"



PJ3 Pipe Jacks

Three leg height adjustable pipe stands

Features and advantages:

- 1,000kg / 2,205lbs load capacity.
- Choice of fixed base or folding leg base.
- Folding legs allow for easy storage and transportation.
- Comprehensive range of head types Adjustable in height from 27"-48" (71cm-122cm).
- Independently load tested.



Standard V-Head option



FIXED LEG AVAILABLE IN FLAT PACK

Base Units

Part No.	Stand Type	Weight KG/LBS	Pipe Size
PJ3FXB	Fixed leg	7.0 / 15.4	up to 12"
PJ3FLB	Folding leg	7.0 / 15.4	up to 12"
PJ3FXB-FP	Flat pack fixed leg	7.0 / 15.4	up to 12"

Steel Wheels



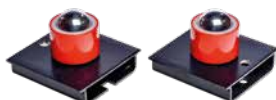
Part No.	Load capacity KG/LBS	Weight KG/LBS	Pipe Size
SWK3	1,000/2,205	3.4/7	1"-12"
SWK3SS	1,000/2,205	3.4/7	1"-12"

Nylon Wheels



Part No.	Load capacity KG/LBS	Weight KG/LBS	Pipe Size
NWK3	450/992	2/5	1"-12"

Ball Transfers



Part No.	Load capacity KG/LBS	Weight KG/LBS	Pipe Size
BTK3	600/1320	2.5/6	1"-12"
BTK3SS	600/1320	2.5/6	1"-12"

Roller Bar Head



Part No.	Load capacity KG/LBS	Weight KG/LBS	Pipe Size
RBH	1,000/2,205	4.25/9	1/8"-10"

Vee Head



Part No.	Load capacity KG/LBS	Weight KG/LBS	Pipe Size
PJ3V	1,000	3.4/7	up to 12"

Pipe Roller Head - Steel Wheels



Part No.	Load capacity KG/LBS	Weight KG/LBS	Pipe Size
SWK350	1,000/2,205	4.9/11	1"-12"
SWK350SS	1,000/2,205	3.4/7	1"-12"

Pipe Roller Head - Nylon Wheels



Part No.	Load capacity KG/LBS	Weight KG/LBS	Pipe Size
NWK350	450/990	4.9/11	1"-12"

Stainless Steel Sleeves

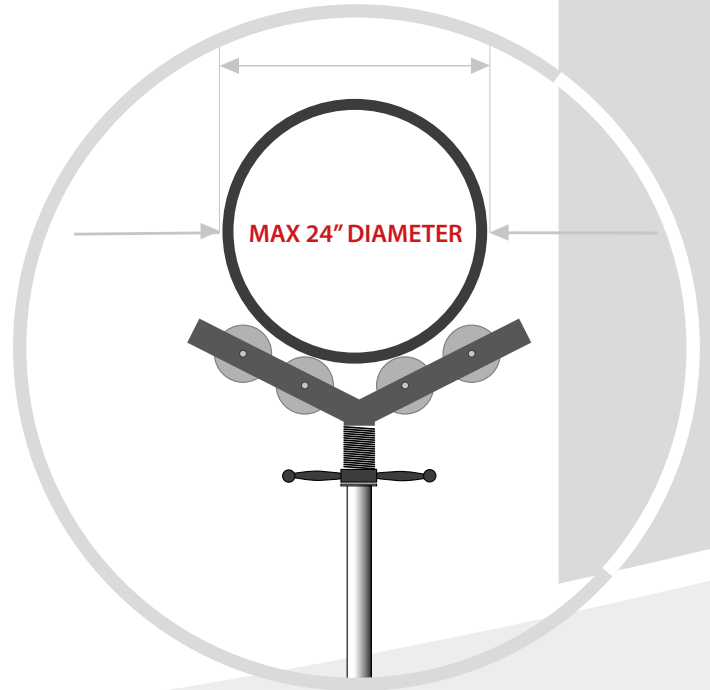


Part No.	Load capacity KG/LBS	Weight KG/LBS	Pipe Size
SSC3	1,000/2,205	1.0/2	1"-12"

Pipe Hold Down Kit



Part No.	Load capacity KG/LBS	Weight KG/LBS	Pipe Size
HDK12	N/A	7/16	1"-12"



Large Vee Head



Part No.	Load capacity KG/LBS	Weight KG/ LBS	Pipe Size
LVH	1,000	7.6/17	up to 24"



Steel Wheels

Part No.	Load capacity KG/LBS	Weight KG/ LBS	Pipe Size
SWK4	1,000	3/6	1"-24"
SWK4SS	1,000	3/6	1"-24"



Nylon Wheels

Part No.	Load capacity KG/LBS	Weight KG/ LBS	Pipe Size
NWK4	450/990	1.8/4	1"-24"

Ball Transfers



Part No.	Load capacity KG/LBS	Weight KG/ LBS	Pipe Size
BTK4	600/1,320	2.3/5	1"-24"
BTK4SS	600/1,320	2.3/5	1"-24"

Stainless Steel Sleeves



Part No.	Load capacity KG/LBS	Weight KG/ LBS	Pipe Size
SSC4	1,000/2,205	1kg	1"-24"

Hold Down Device



Part No.	Load capacity KG/LBS	Weight KG/ LBS	Pipe Size
HDK	N/A	7/16	1"-12"

PJ4 Multi Stand

Height adjustable, multi function, pipe roller stand

Features and advantages:

- Height adjustable with two fine adjusters.
- Maximum weight load: 2000 kgs.
- Maximum pipe diameter: 48".
- 'Bolt On' head unit can be utilised as a floor or bench unit
- Exclusive to GBC!



Bolt On Wheel Carrier options

PJ4 Base Unit



Part No.	Load capacity KG/LBS	Weight KG/LBS	Pipe Size
PJ4B	2,000/4400	20/45	up to 48"

Bolt On Wheel Carrier



Part No.	Load capacity KG/LBS	Weight KG/LBS	Pipe Size
RPS4	2,000/4400	7	up to 48"

Wheel Kit Options



Part No.	Load capacity KG/LBS	Weight KG/LBS	Material
SWK3	1,000	3.4/7	Steel
SWK3SS	1,000	3.4/7	Stainless
NWK3	450	2/5	Nylon
PWK3	720	2/5	Polyurethane

Ball Transfers



Part No.	Load capacity KG/LBS	Weight KG/LBS	Material
BTK3	600	2.5	Steel
BTK3SS*	600	2.5	Stainless

Large V Head options

Large V Head Options



Part No.	Load capacity KG/LBS	Weight KG/LBS	Pipe Size
LVH	2,000	7.6	1"-12"
SSC4	2,000	1	1"-12"
HDK	N/A	7	1"-12"

Large V Head Wheel Kit Options



Part No.	Load capacity KG/LBS	Weight KG/LBS	Material
SWK4	2,000	10.5	Steel
SWK4SS	2,000	10.5	Stainless
NWK4	450	8.5	Nylon

PJ4 Multi Stand

Height adjustable, multi function, pipe roller stand



Small V Head options

Small V Head



Part No.	Load capacity KG/LBS	Weight KG/LBS	Pipe Size
PJ3V	1,000/2,205	3.4/7	up to 12"

Stainless Steel Sleeves



Part No.	Load capacity KG/LBS	Weight KG/LBS	Pipe Size
SSC3	1,000/2,205	1.0/2	1"-12"

Wheel Kit Options



Part No.	Load capacity KG/LBS	Weight KG/LBS	Material
SWK3	1,000	3.4/7	Steel
SWK3SS	1,000	3.4/7	Stainless
NWK3	450	2/5	Nylon

Ball Transfers



Part No.	Load capacity KG/LBS	Weight KG/LBS	Material
BTK3	600	2.5	Steel
BTK3SS	600	2.5	Stainless

Roller Bar Head Options



Roller Bar Head

Part No.	Load capacity KG/LBS	Weight KG/LBS	Material
RBH3	500	4.25	Steel
RBH3SS	500	4.25	Stainless
RBH3N	500	4.25	Nylon

Pipe Roller Head Options



Pipe Roller Head

Part No.	Load capacity KG/LBS	Weight KG/LBS	Pipe Size
SWK350	1,000/2,205	4.9/11	4"-12"
SWK350SS	1,000/2,205	4.9/11	4"-12"
NWK350	450/990	4.9/11	4"-12"

PJQ 'Quattro' Stands

Heavy duty pipe stands for large diameter and heavy wall pipe

The Quattro Heavy Duty Pipe Stands are the ideal solution for heavy duty pipe handling, in the workshop or for site applications.

The Large Vee Head, heavy duty base and variety of head options make the Quattro the most durable and versatile pipe stand on the market.

The Quattro stand can be used as a simple jack stand, supplied as standard with levelling pads to accommodate uneven working surfaces.

Weight load tested to 2500kgs per stand, the Quattro stands can also be supplied with lockable castor wheels so pipes of up to 36" diameter can be moved around a workshop or site.

Features and advantages:

- Weight certified to 2500kg.
- For pipe up to 36" diameter.
- Variety of head options.
- Optional castor wheel for pipe transportation.
- Height adjustable.
- Nylon thrust washer for easy height adjustment.
- Suitable for carbon or stainless steel.



Transport pipe around the site or workshop with ease

PJQ 'Quattro' Stands Options

Heavy duty pipe stands for large diameter and heavy wall pipe



Base Unit

Part No.	Load capacity KG	Weight KG	Pipe Size
PJQB	2,500	10	N/A



Large Vee Head

Part No.	Load capacity KG	Weight KG	Pipe Size
LVH	2,500	7.5	1"-36"



Wheel Kit Options

Part No.	Load capacity KG	Weight KG	Pipe Size
SWK4	2,000	10.5	Steel
SWK4SS	2,000	10.5	Stainless
NWK4	450	8.5	Nylon



Ball Transfer Kits

Part No.	Load capacity KG	Weight KG	Pipe Size
BTK4	600	8.5	1"-36"
BTK4SS	600	8.5	1"-36"



Hold Down Device

Part No.	Load capacity KG	Weight KG	Pipe Size
HDK36	N/A	7	1"-12"



Stainless Steel Sleeves

Part No.	Load capacity KG	Weight KG	Pipe Size
SSC4	2500	1	1"-36"

Roller Wheel Kit

Part No.	Load capacity KG	Weight KG	Pipe Size
RWK4	2000	11	N/A



'Mega' Pipe stands

Heavy duty pipe stands for large diameter and heavy wall pipe

The GBC MEGA PIPE STANDS are a great addition to the GBC range of pipe jacks.

These stands provide the best solution for working safely on large diameter, heavy wall pipes.

The heavy duty polyurethane over steel wheels have sealed bearings for smooth pipe rotation.

And the twin heavy duty solid acme rods ensure precise height adjustment, even under load.

Features and advantages:

- Weight certified to 3629 kg.
- For pipe up to 48" diameter.
- Height adjustable.
- 6" x 3" Heavy duty polyurethane wheels.
- Suitable for carbon, stainless & exotic materials.
- Heavy gauge steel construction.
- Powder coated safety red for high visibility.
- Lifting eyes for easy movement.
- Low and High Profile models.
- Made in GBC.

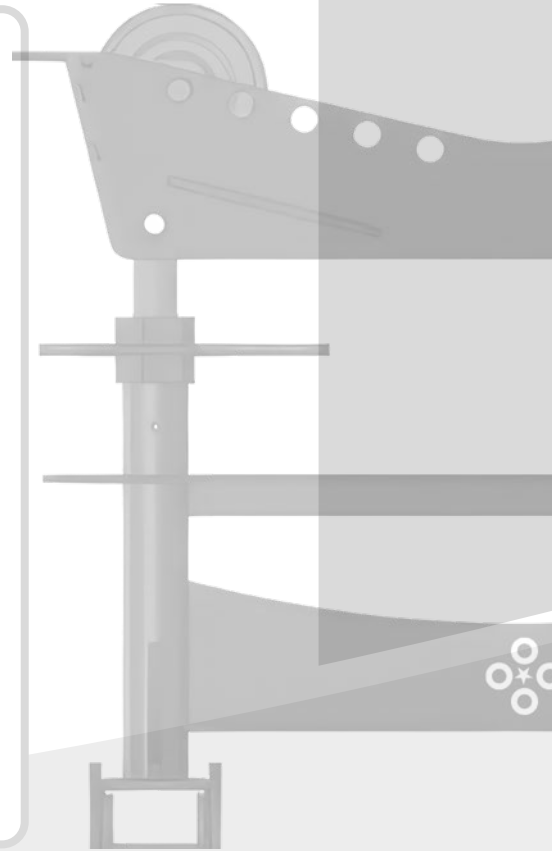
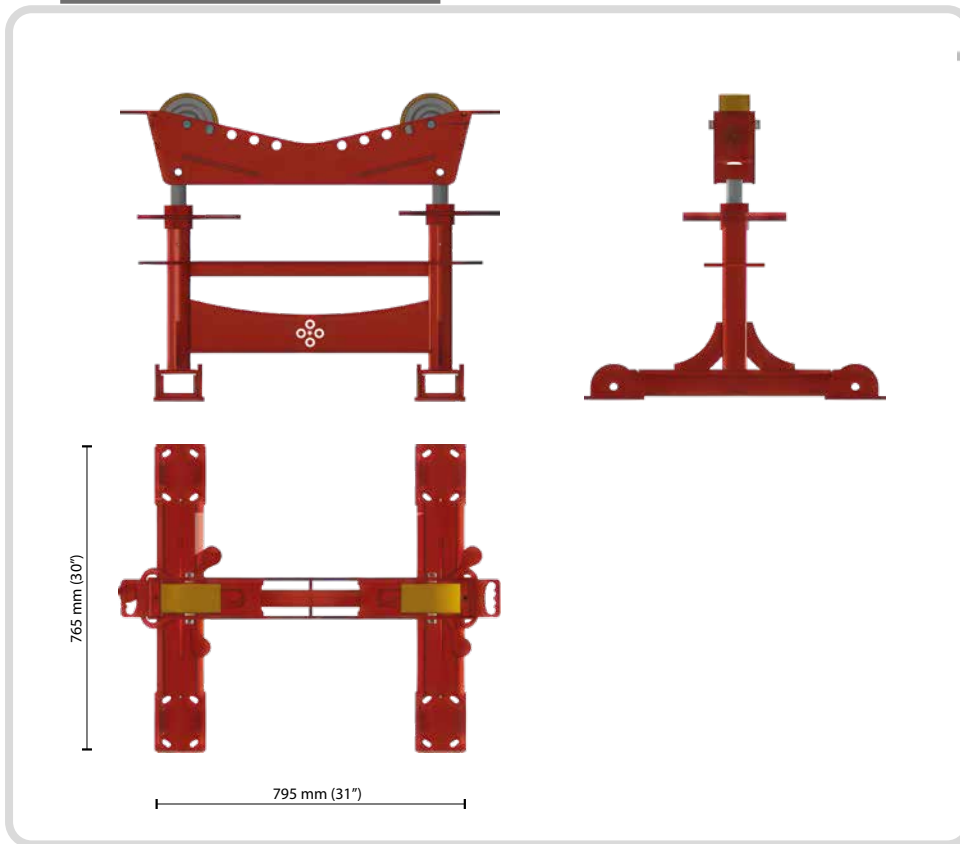


Part No.	Load capacity KG/LBS	Height Adjustment	Pipe Size	Weight
PJM/LP	3629/8000	600 - 900mm	2"-48"	62.5 kg
PJM/HP	3629/8000	965 - 1600mm	2"-48"	75.0 kg

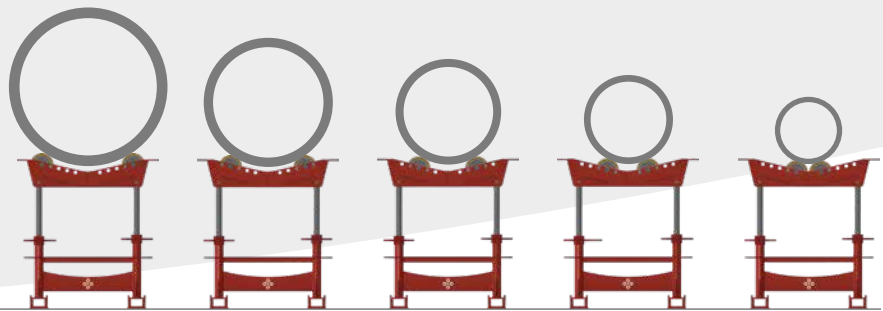
'Mega' Pipe Stands

Heavy duty pipe stands for large diameter and heavy wall pipe

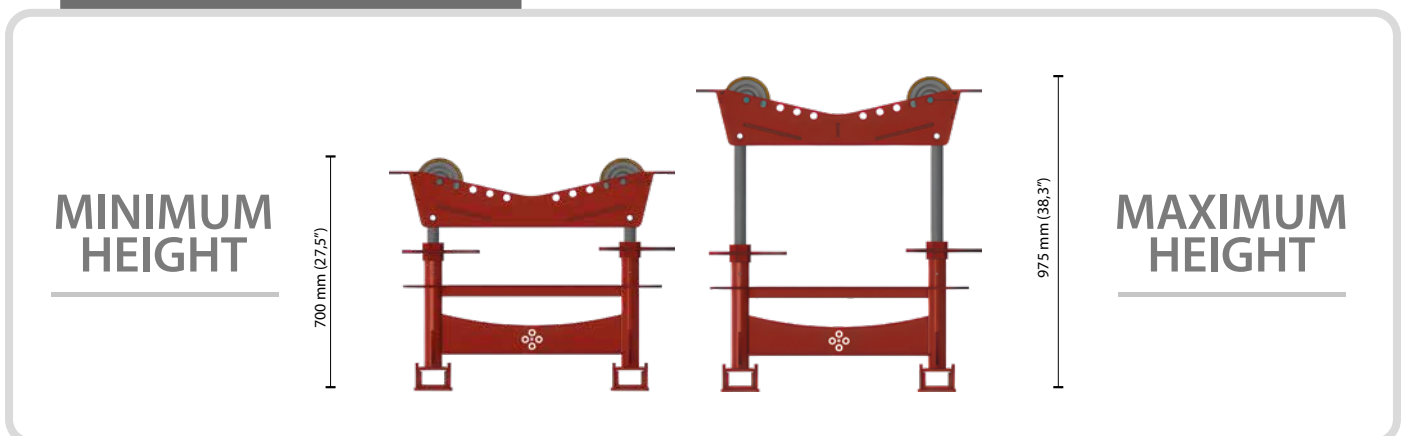
DIMENSION



DIAMETER CONFIGURATION



MINIMUM/MAXIMUM OVERALL HEIGHT



RPS4 Roller Pipe Stand

The RPS4 is a versatile floor or bench mountable pipe roller stand

Part No.	Description	Load capacity KG
RPS4B	Bolt on wheel carrier	2,000
SWK3	Steel wheel kit	1,000
SWK3SS	Stainless steel wheel kit	1,000
NWK3	Nylon wheel kit	450
BTK3	Ball transfer kit	600
BTK3SS	Stainless steel ball transfer kit	600
PWK3	Polyurethane wheel kit	720



RPS6 Heavy Duty Roller Stands

Heavy duty stands designed to be either floor or bench mounted

The RPS6 floor mounted stand is weight load tested up to 2,200 kgs dependent on heads being used. Available with 4 head styles to suit pipes from 4" to 48"



Part No.	Head Style	Load capacity KG/LBS	Weight KG/LBS
RPS6B	Base unit only	N/A	5.8/13
SWK6	Pair steel wheel heads	2,200/4,850	3.4/7
NWK6	Pair nylon wheel heads	450/990	2.2/5
BTK6	Pair ball transfer heads	650/990	3.8/8
FTK6N	Pair feed through roller - Nylon	450/990	3.5/6
FTK6S	Pair feed through roller - Steel	2,200/4,850	3.8/8



PJ8 Feed Through Roller Stands

Heavy duty stands designed to be either free standing or in-trench

Features and advantages:

- Free standing or In-trench options.
- Differing trench widths accommodated.
- Multi positional.
- Rubber coated rollers minimise pipe damage.
- Four sizes available to suit pipes from 63mm. to 1500mm

Part No.	Pipe Diameter Range	Load capacity KG	Weight KG
PJ8-1	63 - 355mm	200	5
PJ8-2	250 - 630mm	1000	12
PJ8-3	"500 -1200mm Adjustable"	1000	13
PJ8-5	1500mm	2000	90



Pipe Buggy

The safe method of handling and moving pipes around the workshop or site

The Pipe Buggy offers a safe method of handling and moving pipes around the workshop or site easily, avoiding damage to the pipe as a result of it being dragged along the ground.

At only 31.8kg / 70lbs it is a light weight yet robust solution to pipe handling problems.

With its innovative handle and ratchet strap it allows the operator to lift the pipe from the floor into the buggy with minimal effort.

Features and advantages:

- Flat free tyres
- Ratchet hold down strap to secure pipe
- Quick disconnecting handle for easy storage

Max Pipe diameter: 12"
Max Pipe length: 6.1m
Max Pipe weight: 450kg / 990lbs





- Portable Pipe Cold Beveling Machines
- Portable Pipe Cold Cutting and Beveling Machines
- Plate Cold Beveling Machines
- Flange Facing Machines
- Orbital Pipe Cutting Machines
- Back Gouging and Grinding Systems
- **Pipe Alignment Clamps and Stands**



@GBCIndustrialToolsSpa



@gbcindustrialtoolsspa



GBC Industrial Tools SpA



GBC Industrial Tools



GBC Industrial Tools si riserva il diritto di apportare in qualsiasi momento modifiche costruttive e funzionali.
GBC Industrial Tools has the right to modify its product at any time.



G.B.C. Industrial Tools S.p.a.

Via Sandro Pertini, 41/43
25046 Cazzago San Martino (BS) - Italia
phone: +39 (0)30 745.11.54 - fax +39 (0)30 735.66.29
www.gbcspa.com - mailto: sales@gbcspa.com

