

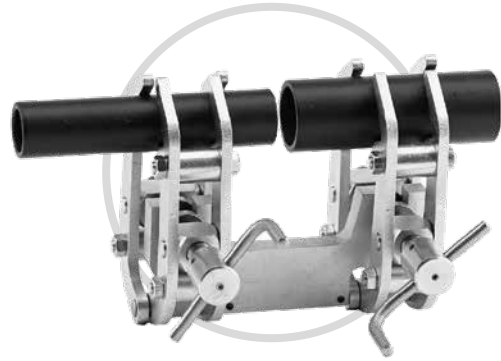
Special Alignment Clamps

Internal and external locking pipe clamps for aligning pipes and flanges

Pincer Clamp

For quick and accurate alignment of pipes of equal or differing diameters on a common centre line. Automatic diameter compensation. All parts stay easily accessible for welding.

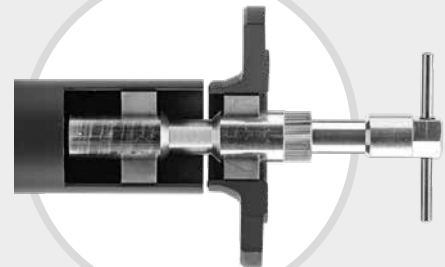
Part No.	Clamping Range (mm)	Weight KG/LBS
PC70	10-70	2.1 / 5
PC140	40-140	5.9 / 135
PC330	75-330	26 / 57.5



Mini Clamp

For quick and accurate alignment and clamping of flanges, nozzles, etc to pipes and cylindrical tanks. Available in stainless steel.

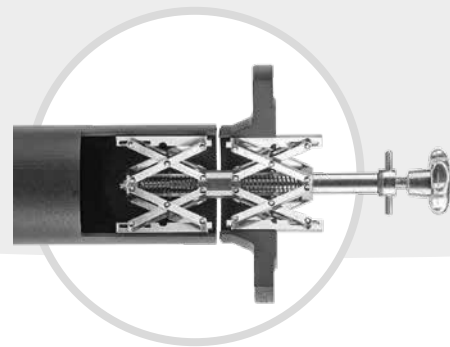
Part No.	Clamping Range (mm)	Weight KG/LBS
MC19	15-19	0.20 / 0.7
MC20	16-20	0.20 / 0.7
MC25	19-25	0.25 / 0.9
MC32	24-32	0.50 / 1
MC40	31-40	0.50 / 1
MC52	38-52	1.25 / 3
MC64	51-64	1.25 / 3



FTP Clamp

This model has two independent expanding clamps, allowing coaxial alignment of two hollow cylindrical components of different diameters. The bottom expanding clamp is inserted and clamped in the pipe by means of the knob. Then the other part (e.g. a flange) is placed over the top expanding clamp and clamped by means of the hand-bar. Stainless steel options also available.

Part No.	Clamping Range (mm)	Weight KG
FTP140	40-140	1.30
FTP220	85-220	3.90
FTP350	75-350	11.50
FTP520	180-520	27.00
FTP940	400-940	39.00



FTE Clamp

This model with two independent clamps is used for clamping flanges of all kinds and similar parts to elbows and pipe-bends of various diameters. The lower expanding clamp has strong gripping feet which insert into the bend and are tightened by means of the knob. The top expanding clamp is tightened by means of the handbar in the flange. Stainless steel options also available.

Part No.	Clamping Range (mm)	Weight KG/LBS
FTE115	54-115	1 / 3
FTE195	89-195	3.3 / 7
FTE315	120-315	9.5 / 21

