

PJ3 Pipe Jacks

Three leg height adjustable pipe stands



Features and advantages:

- 1,000 / 2,205 load capacity.
- Choice of fixed base or folding leg base.
- Folding legs allow for easy storage and transportation.
- Comprehensive range of head types Adjustable in height from 27"-48" (71cm-122cm).
- Independently load tested.

Standard V-Head option



Base Units

Part No.	Stand Type	Weight (Kgs/lbs)	Pipe Size
PJ3FXB	Fixed leg	7,0/15.4	up to 12"
PJ3FLB	Folding leg	7,0/15.4	up to 12"

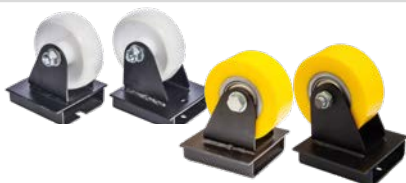
Wheel Kit Options



Steel Wheels

Part No.	Load capacity (Kgs/lbs)	Weight (Kgs/lbs)	Pipe Size
SWK3	1000/2200	3,4/7	1"-12"
SWK3SS	1000/2200	3,4/7	1"-12"

Nylon / Polyurethane Wheels



Part No.	Load capacity (Kgs/lbs)	Weight (Kgs/lbs)	Pipe Size
NWK3	450/992	2/5	1"-12"
PWK3	600/1320	4/8,8	1"-12"

Ball Transfer Kit Options



Ball Transfers

Part No.	Load capacity (Kgs/lbs)	Weight (Kgs/lbs)	Pipe Size
BTK3	600/1320	2,5/6	1"-12"
BTK3SS	600/1320	2,5/6	1"-12"

Small V-Head option



Vee Head

Part No.	Load capacity (Kgs/lbs)	Weight (Kgs/lbs)	Pipe Size
PJ3V	1000/2200	3,4/7	up to 12"



Stainless Steel Sleeves

Part No.	Load capacity (Kgs/lbs)	Weight (Kgs/lbs)	Pipe Size
SSC3-1	1000/2200	1/2,2	1"-12"

Pipe Roller Head Options

Pipe Roller Head Steel Wheels

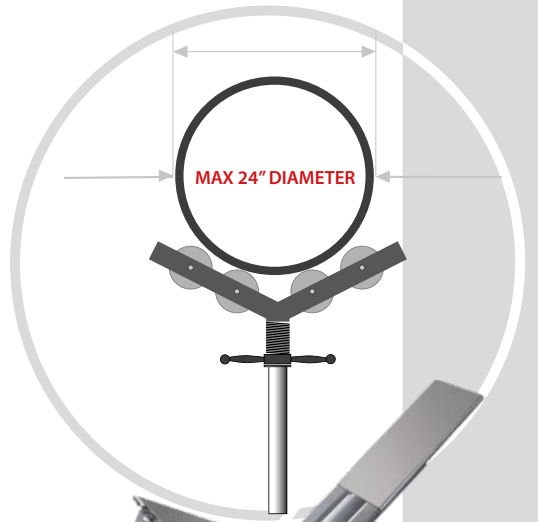


Part No.	Load capacity (Kgs/lbs)	Weight (Kgs/lbs)	Pipe Size
SWK350	1000/2200	4,9/11	1"-12"
SWK350SS	1000/2200	3,4/7	1"-12"

Pipe Roller Head Nylon/ Polyurethane Wheels



Part No.	Load capacity (Kgs/lbs)	Weight (Kgs/lbs)	Pipe Size
NWK350	450/990	4,9/11	1"-12"
PWK350	600/1320	5/11	1"-12"



Large Vee Head

Part No.	Load capacity (Kgs/lbs)	Weight (Kgs/lbs)	Pipe Size
LVH	1000/2200	7.6/17	up to 24"

Stainless Steel Sleeves

Part No.	Load capacity (Kgs/lbs)	Weight (Kgs/lbs)	Pipe Size
SSC4	1000/2200	1/2,2	up to 24"

Polyurethane Wheels

Part No.	Load capacity (Kgs/lbs)	Weight (Kgs/lbs)	Pipe Size
PWK4	600/1320	11.5/25.35	4"-36"



Steel Wheels

Part No.	Load capacity (Kgs/lbs)	Weight (Kgs/lbs)	Pipe Size
SWK4	1000/2200	3/6	1"-24"
SWK4SS	1000/2200	3/6	1"-24"



Nylon Wheels

Part No.	Load capacity (Kgs/lbs)	Weight (Kgs/lbs)	Pipe Size
NWK4	450/990	1.8/4	1"-24"



Ball Transfers

Part No.	Load capacity (Kgs/lbs)	Weight (Kgs/lbs)	Pipe Size
BTK4	600/1320	2.3/5	1"-24"
BTK4SS	600/1320	2.3/5	1"-24"

